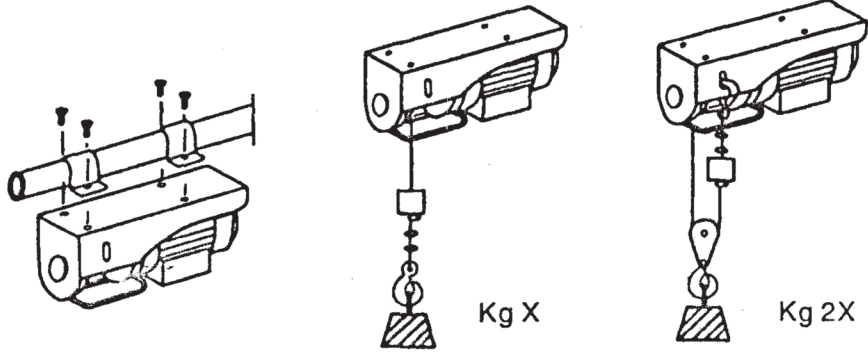


INSTALLATION

The hoist «STANDARD VERSION» is provided with a specially designed bracket system which allows to hold pipes box.

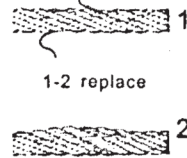


Check that socket features (volt-hertz) correspond to those indicated on the machine plate; then, you can insert the plug. In case a cable extension is needed, it is absolutely important to respect the table's data.

| EXTENSION LENGTH | EL. CABLE SECTION |
|------------------|-------------------|
| Up to 20m | 1.6mm |
| da 20 a 50m | 2.5mm |

MAINTENANCE

- Periodically CHECK that the steel cable is in good conditions.
- CHECK that the screws securing the brackets and reduction gear are well tightened.
- CHECK THE CONDITIONS AND TIGHTENING OF THE NUTS securing the steel cable clamps.
- Periodically CHECK that motor stop switch and push button switch are in good operating conditions.



| Technical data | HGS200 | | HGS250 | | HGS400 | | HGS500 | |
|-------------------|---------------|--------|---------------|--------|---------------|--------|---------------|--------|
| Load capacity | 100kg | 200kg | 125kg | 250kg | 200kg | 400kg | 250kg | 500kg |
| Lifting height | 12m | 6m | 12m | 6m | 12m | 6m | 12m | 6m |
| Lifting speed | 10m/min | 5m/min | 10m/min | 5m/min | 10m/min | 5m/min | 10m/min | 5m/min |
| Cable length | 12m- | | 12m- | | 12m- | | 12m- | |
| Cable diameter | 3.0mm | | 3.0mm | | 3.6mm | | 4.0mm | |
| Resister cable | ≥500kg | | ≥600kg | | ≥1000kg | | ≥1250kg | |
| Service | S3 20%-10min | | S3 20%-10min | | S3 20%-10min | | S3 20%-10min | |
| Mains voltage | 220-230V-50Hz | | 220-230V-50Hz | | 220-230V-50Hz | | 220-230V-50Hz | |
| Motor performance | P,450W | | P,530W | | P,780W | | P,930W | |

| Technical data | HGS600 | | HGS800 | | HGS1000 | | HGS1200 | |
|-------------------|---------------|--------|---------------|--------|---------------|--------|---------------|--------|
| Load capacity | 300kg | 600kg | 400kg | 800kg | 500kg | 1000kg | 600kg | 1200kg |
| Lifting height | 12m | 6m | 12m | 6m | 12m | 6m | 12m | 6m |
| Lifting speed | 10m/min | 5m/min | 10m/min | 5m/min | 10m/min | 5m/min | 10m/min | 5m/min |
| Cable length | 12m- | | 12m- | | 12m- | | 12m- | |
| Cable diameter | 4.5mm | | 5.0mm | | 5.6mm | | 5.6mm | |
| Resister cable | ≥1500kg | | ≥2000kg | | ≥2500kg | | ≥3000kg | |
| Service | S3 20%-10min | | S3 20%-10min | | S3 20%-10min | | S3 20%-10min | |
| Mains voltage | 220-230V-50Hz | | 220-230V-50Hz | | 220-230V-50Hz | | 220-230V-50Hz | |
| Motor performance | P,1000W | | P,1350W | | P,1650W | | P,1850W | |

These descriptions and illustrations are not binding the firm reserves the right to modify them without any notice.